

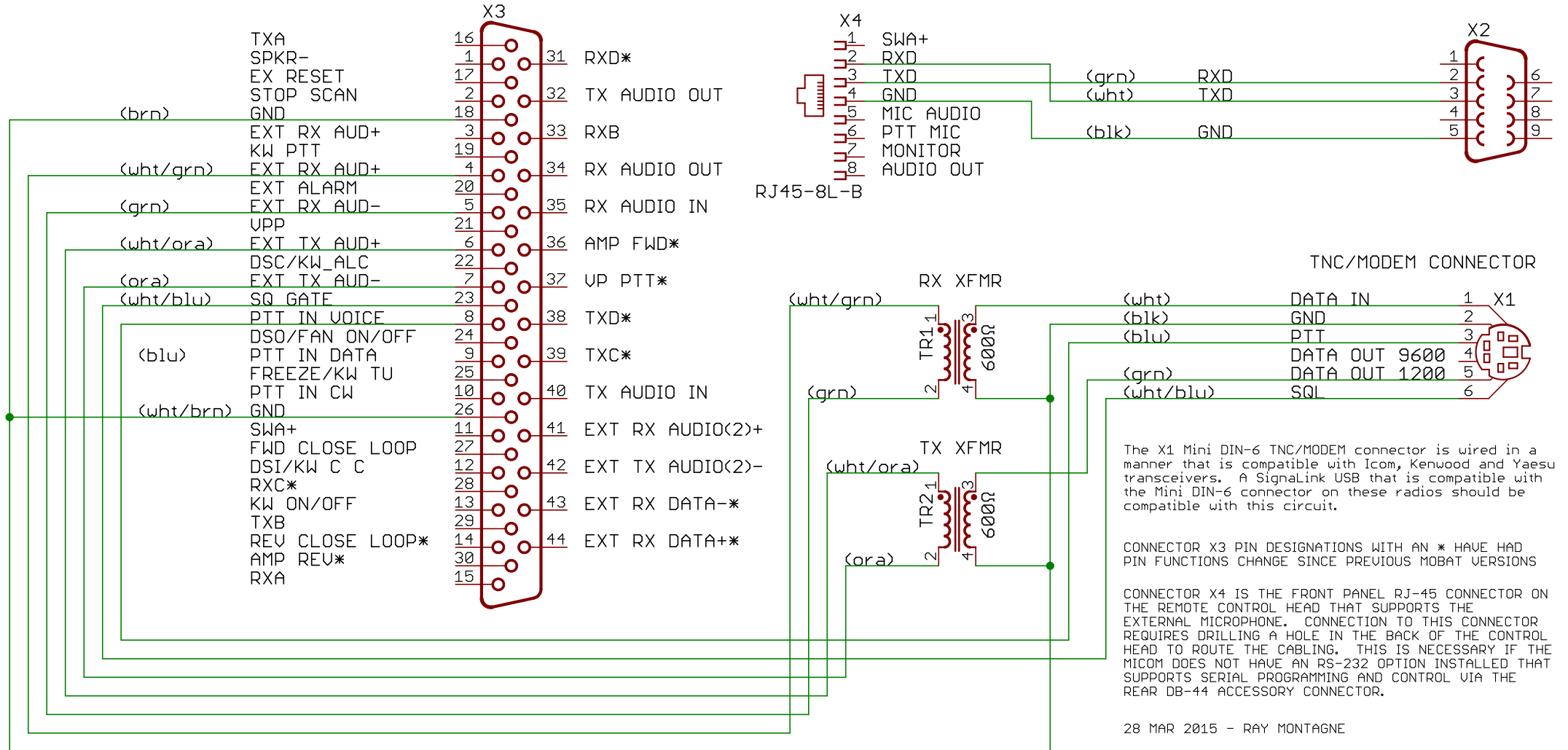
MOTOROLA MOBAT SERIAL AND DIGITAL AUDIO INTERFACE

MICOM 2ES / 24S / 2TS

ACCESSORY CONNECTOR

MIC CONNECTOR

SERIAL CONNECTOR



The X1 Mini DIN-6 TNC/MODEM connector is wired in a manner that is compatible with Icom, Kenwood and Yaesu transceivers. A SignalLink USB that is compatible with the Mini DIN-6 connector on these radios should be compatible with this circuit.

CONNECTOR X3 PIN DESIGNATIONS WITH AN * HAVE HAD PIN FUNCTIONS CHANGE SINCE PREVIOUS MOBAT VERSIONS

CONNECTOR X4 IS THE FRONT PANEL RJ-45 CONNECTOR ON THE REMOTE CONTROL HEAD THAT SUPPORTS THE EXTERNAL MICROPHONE. CONNECTION TO THIS CONNECTOR REQUIRES DRILLING A HOLE IN THE BACK OF THE CONTROL HEAD TO ROUTE THE CABLING. THIS IS NECESSARY IF THE MICOM DOES NOT HAVE AN RS-232 OPTION INSTALLED THAT SUPPORTS SERIAL PROGRAMMING AND CONTROL VIA THE REAR DB-44 ACCESSORY CONNECTOR.