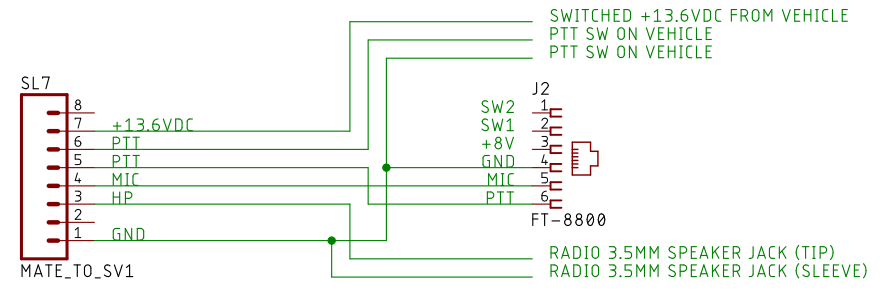
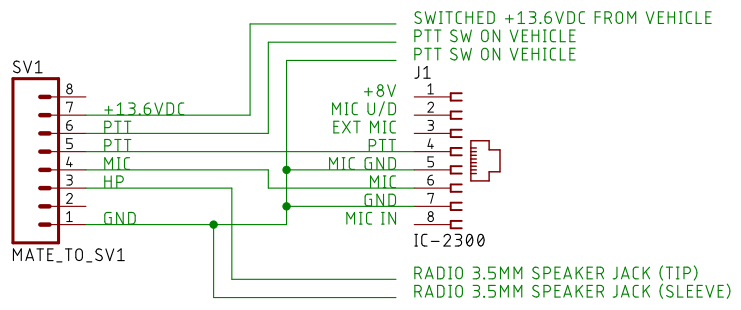
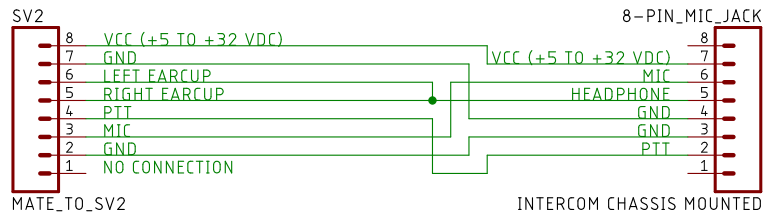


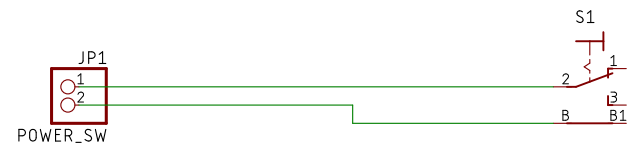
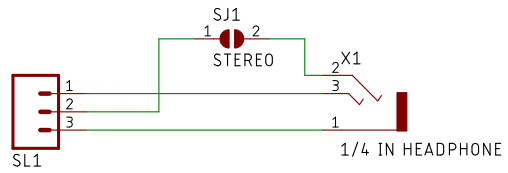
A



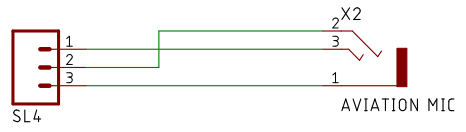
B



C



D



E

TITLE: CABLE INTERFACE	
Document Number:	REV:
Date: 7/21/19 5:59 PM	Sheet: 1/1